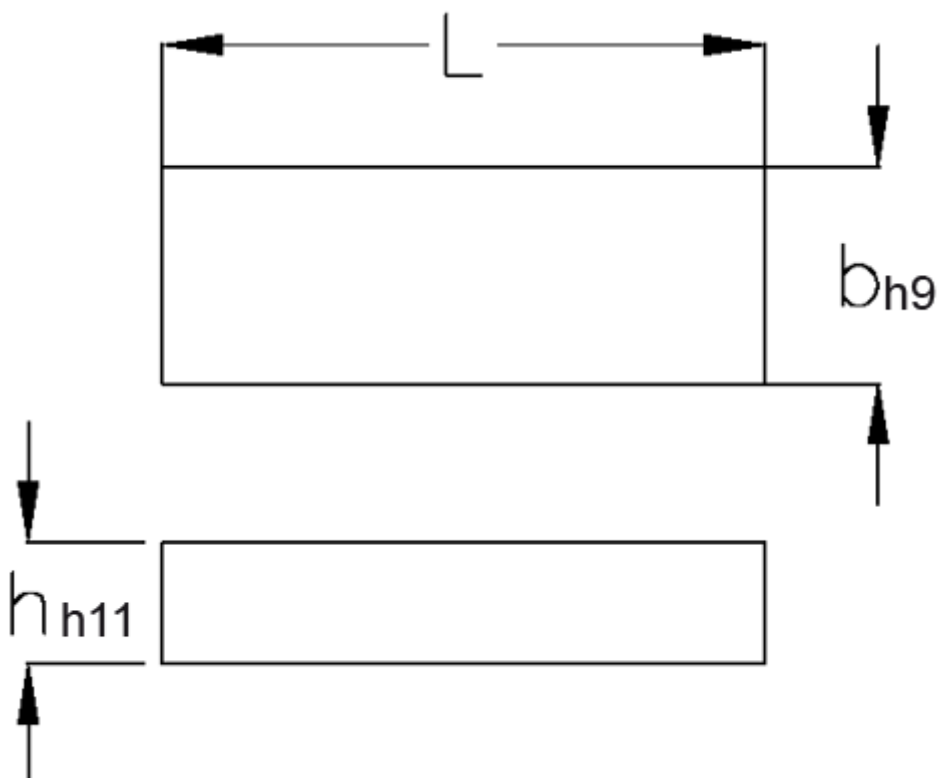


Article number: 09065510

Description: KLEE Feather keys B 5x5x10 DIN 6885

Measures



b	$= 5$
h	$= 5$
L	$= 10$
Tolerance b	$= 0.030$
Tolerance h	$= 0.075$
Tolerance L	$= -0,2$